

Technical data sheet

Pipe end cap, metric, lightgrey

Item number: 2047829



Pipe end sleeve to slot onto electrical installation pipes, metric.



PE Polyethylene

Master data

Item number	2047829
Type	129 M20
Description 1	Pipe end sleeve
Description 2	metric
Manufacturer	OBO
Dimension	M20
Colour	Light grey; RAL 7035
Material	Polyethylene
Smallest sales unit	100
Unit of quantity	Piece
Weight	0.205 kg
Weight unit	kg/100 pc.

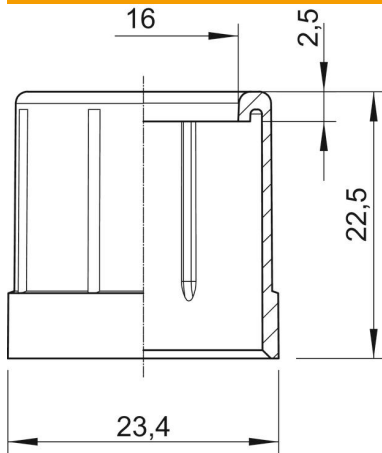
Technical data sheet

Pipe end cap, metric, lightgrey

Item number: 2047829



Dimensions



Dimension D1	23.4 mm
Dimension D2	16 mm
Dimension L1	22.5 mm
Dimension L2	2.5 mm

Technical data

Version for	Connector
for pipe diameter	20 mm
Size	M20
Halogen-free	yes
Brushed surface	no
Polished surface	no