

# Technical data sheet

Locknut, metric thread

Item number: 2091615



Locknut to DIN 46319 with metric thread IEC 423.

\* Prices according to DEL notation.



**CuZn**  
37 Brass

**N** Nickel-plated

## Master data

Item number	2091615
Type	169 MS M16
Description 1	Locknut
Manufacturer	OBO
Dimension	M16
Material	Brass
Surface	Nickel-plated
Surface standard	
Smallest sales unit	100
Unit of quantity	Piece
Weight	0.31 kg
Weight unit	kg/100 pc.

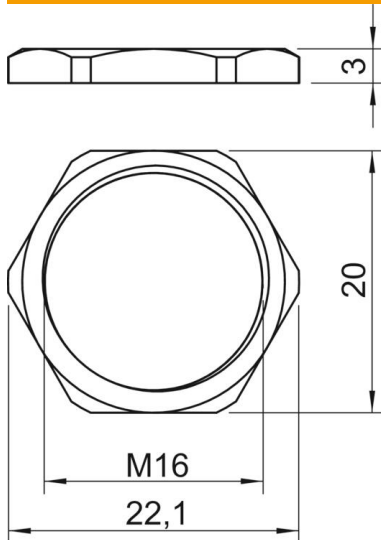
# Technical data sheet

## Locknut, metric thread

Item number: 2091615



### Dimensions



Dimension E	22.1 mm
Dimension L	3 mm

### Technical data

Thread	M16_x_1,5
Thread type	Metric
Nominal thread size metric/PG	16
Fibre-glass reinforced	no
Halogen-free	no
Impact-resistant	no
WAF	20