

# Technical data sheet

Locknut, PG thread

Item number: 2091135



Locknuts, part M to DIN 46320 with Pg thread to DIN 40430. \* Price according to DEL notation.



**CuZn**  
37 Brass

**N** Nickel-plated

## Master data

Item number	2091135
Type	169 MS PG13.5
Description 1	Locknut
Manufacturer	OBO
Dimension	PG13,5
Material	Brass
Surface	Nickel-plated
Surface standard	
Smallest sales unit	100
Unit of quantity	Piece
Weight	0.364 kg
Weight unit	kg/100 pc.

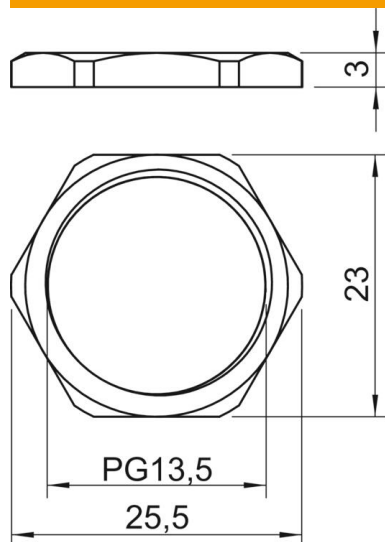
# Technical data sheet

## Locknut, PG thread

Item number: 2091135



### Dimensions



Dimension E	25.5 mm
Dimension L	3 mm

### Technical data

Thread	Pg_13,5
Thread type	PG
Nominal thread size metric/PG	13.5
Fibre-glass reinforced	no
Halogen-free	no
Impact-resistant	no
WAF	23