

# Technical data sheet

## Series pressure clip, light grey

Item number: 2250438



Universal clip for the single fastening of cables and pipes, all sizes can be seamlessly expanded among each other, with adhesive foot, slot and for screwing to M6 thread.

To stick the polyamide clips to masonry and concrete, use Impu-Fix ribbon conductor quick adhesive, type 509.

\*Sizes 3–7 are not suitable for nail guns.



PA Polyamide

### Master data

Item number	2250438
Type	2037 27-43 LGR
Description 1	Series pressure clip
Manufacturer	OBO
Dimension	27-43mm
Colour	Light grey; RAL 7035
Material	Polyamide
Smallest sales unit	25
Unit of quantity	Piece
Weight	1.615 kg
Weight unit	kg/100 pc.

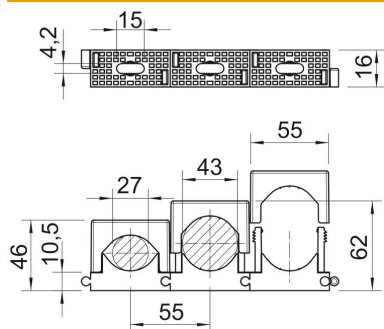
# Technical data sheet

Series pressure clip, light grey

Item number: 2250438



## Dimensions



Dimension A	55 mm
Dimension d max.	43 mm
Dimension d min.	27 mm
Dimension F	15 mm
Dimension H1	10.5 mm
Dimension H2	46 mm
Dimension H3	62 mm

## Technical data

Expandable	yes
Number of cables/pipes	1
Fastening type	Screw hole
Halogen-free	yes
Snap system	yes
Impact-resistant	no
Clamping range D, max.	43 mm
Clamping range D, min.	27 mm