

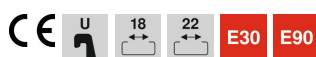
Technical data sheet

Clamp clip, single, FT metal pressure trough

Item number: 1158112



Suitable for all C profile rails with slot width 18 mm and 22 mm.



St Steel

FT Hot-dip galvanised

Master data

Item number	1158112
Type	2056U M 70 FT
Description 1	Clamp clip
Description 2	with metal pressure sump
Manufacturer	OBO
Dimension	64-70mm
Material	Steel
Surface	Hot-dip galvanised
Surface standard	DIN EN ISO 1461
Smallest sales unit	50
Unit of quantity	Piece
Weight	18.2 kg
Weight unit	kg/100 pc.

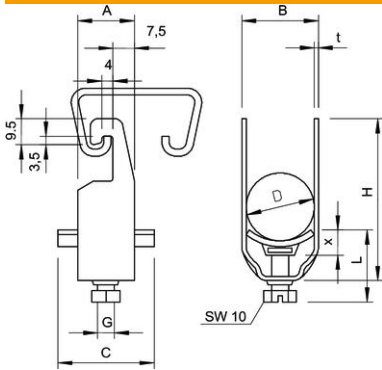
Technical data sheet

Clamp clip, single, FT metal pressure trough

Item number: 1158112



Dimensions



Dimension A	23 mm
Dimension B	76 mm
Dimension C	40 mm
Dimension G (mm)	M8
Dimension H	103 mm
Dimension L	38.5 mm
Dimension t	2.5 mm
Dimension x	6.5 mm

Technical data

Number of cables/pipes	1
for rail with slot width (with interval), max.	22 mm
for rail with slot width (with interval), min.	18 mm
Halogen-free	no
Max. Tightening torque	5 Nm
With plastic trough	no
With metal trough	yes
Mounting type	Profile rail
Impact-resistant	no
Clamping range D, max.	70 mm
Clamping range D, min.	64 mm
Surface addition	hot galvanised
Material addition	Steel
With counter-trough	no
Material of trough	Steel