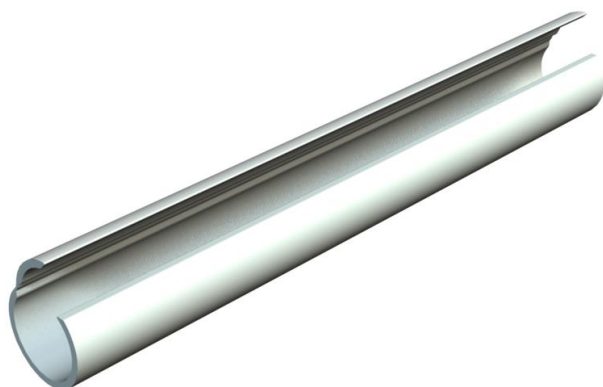


Technical data sheet

Quick pipe, pure white

Item number: 2153960



Open plastic Quick pipe for surface-mounted routing of cables in interiors and protected outdoor areas. Mounting on wall and ceiling with Quick clip, star-Quick clip and Multi-Quick clip. Toolless closing and opening through turning in the clip. Can be used in a temperature range of -25 to $+60$ °C.



PVC Polyvinylchloride

Master data

Item number	2153960
Type	2953 M16 RW
Description 1	Quick pipe
Manufacturer	OBO
Dimension	M16
Colour	Pure white; RAL 9010
Material	Polyvinylchloride
Smallest sales unit	50
Unit of quantity	Metre
Weight	7.7 kg
Weight unit	kg/100 m

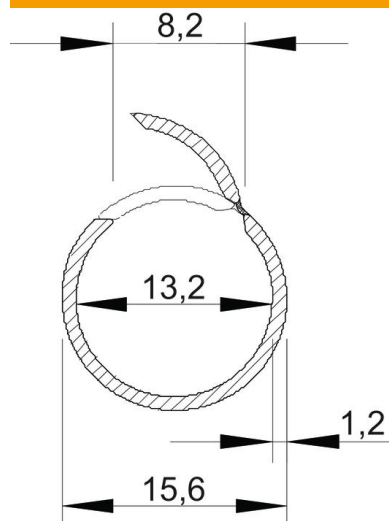
Technical data sheet

Quick pipe, pure white

Item number: 2153960



Dimensions



Length	2,000 mm
Dimension C	8.2 mm
Dimension D	15.6 mm
Dimension m (mm)	13,2
Dimension t	1.2 mm

Technical data

Surface-mounted	yes
Flame-resistant version	no
Concrete installation	no
Size	M16
Halogen-free	no
Installation on wood	yes
Installation in the earth	no
Installation outdoors	no
Classification code	0
Machines and system installation	yes
With sleeve	no
Permitted temperature range, max.	60 °C
Permitted temperature range, min.	-25 °C
Underfloor installation (screed)	no
Concealed	no