

# Technical data sheet

## Base clamp clip, single

Item number: 2140063



Can be screwed onto M6 thread.



**PP** Polypropylene

### Master data

|                     |                      |
|---------------------|----------------------|
| Item number         | 2140063              |
| Type                | 2962 6 LGR           |
| Description 1       | Base clamp           |
| Manufacturer        | OBO                  |
| Dimension           | 6mm                  |
| Colour              | Light grey; RAL 7035 |
| Material            | Polypropylene        |
| Smallest sales unit | 100                  |
| Unit of quantity    | Piece                |
| Weight              | 0.08 kg              |
| Weight unit         | kg/100 pc.           |

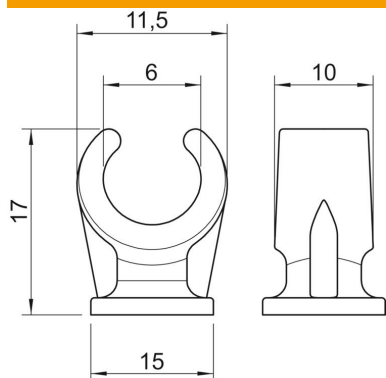
# Technical data sheet

## Base clamp clip, single

Item number: 2140063



### Dimensions



|             |         |
|-------------|---------|
| Dimension A | 11.5 mm |
| Dimension B | 10 mm   |
| Dimension C | 15 mm   |
| Dimension H | 17 mm   |

### Technical data

|                                  |                     |
|----------------------------------|---------------------|
| Number of cables/pipes           | 1                   |
| Version for                      | Single-lobe         |
| Fastening type                   | Threaded connection |
| Suitable in fire protection area | no                  |
| Size                             | 6                   |
| Halogen-free                     | yes                 |
| Plastic-covered                  | no                  |
| Nominal diameter                 | 5.6 mm              |
| Clamping range D, max.           | 6 mm                |
| Clamping range D, min.           | 6 mm                |
| UV-resistant                     | no                  |