

Technical data sheet

Cable and pipe spacer clip 733 G

Item number: 1361295



- * Size M16 is not suitable for nail device
- * Sizes M16 - PG16 are not suitable for bolt-firing tool



- St** Steel
- G** Electrogalvanized

Master data

Item number	1361295
Type	733 29 G
Description 1	Distance saddle
Description 2	with slot
Manufacturer	OBO
Dimension	24-29mm
Material	Steel
Surface	Electrogalvanized
Surface standard	EN ISO 19598 / EN ISO 4042
Smallest sales unit	50
Unit of quantity	Piece
Weight	3.347 kg
Weight unit	kg/100 pc.

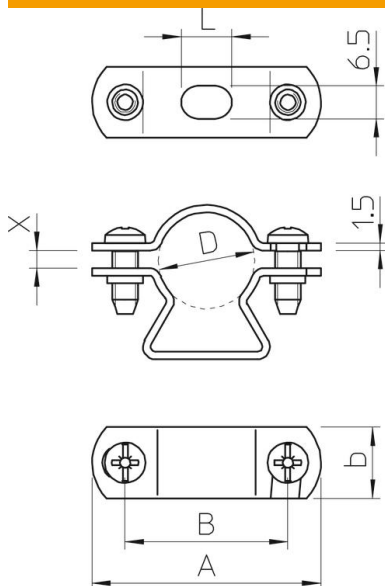
Technical data sheet

Cable and pipe spacer clip 733 G

Item number: 1361295



Dimensions



Length	58 mm
Dimension A	58 mm
Dimension B	42 mm
Dimension b	16 mm
Dimension D	29 mm
Dimension L	10 mm
Dimension x	11 mm

Technical data

Distance to the wall	yes
Number of cables/pipes	1
Version for	Closed
Fastening type	Screw hole
For diameter	29
Suitable in fire protection area	yes
Size	M25
Halogen-free	yes
Plastic-covered	no
Hole size	6,5 x 10 mm
Material thickness	1.5 mm
Bolt	M5 x 18
Clamping range D, max.	29 mm
Clamping range D, min.	24 mm
UV-resistant	yes