

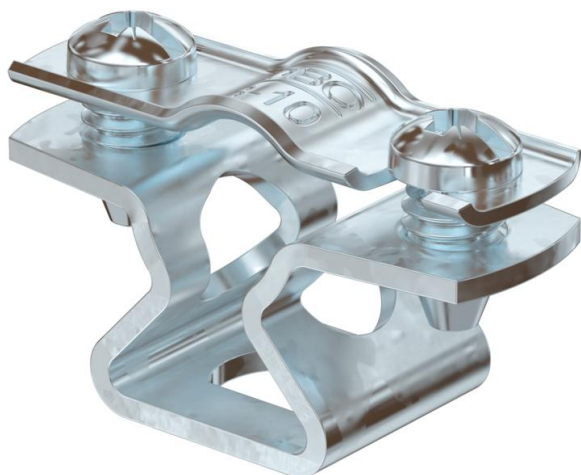
Technical data sheet

Spacer clip 733 FT

Item number: 1362704



Spacer clip for the installation of pipes and cables on walls, ceilings and floors.
With self-locking cover. Fastening via slot.



St Steel

FT Hot-dip galvanised

Master data

Item number	1362704
Description 1	Distance saddle
Description 2	with slot
Manufacturer	OBO
Dimension	8-10mm
Material	Steel
Surface	Hot-dip galvanised
Surface standard	DIN EN ISO 1461
Smallest sales unit	25
Unit of quantity	Piece
Weight	1.883 kg
Weight unit	kg/100 pc.

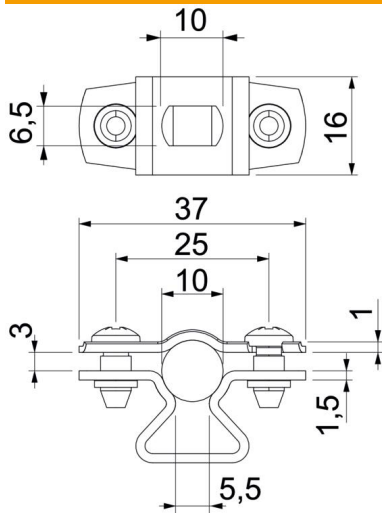
Technical data sheet

Spacer clip 733 FT

Item number: 1362704



Dimensions



Dimension A	37 mm
Dimension B	25 mm
Dimension b	16 mm
Dimension D	10 mm
Dimension d max.	10 mm
Dimension d min.	8 mm
Dimension L	10 mm
Dimension s	5.5 mm
Dimension t1 (mm)	1
Dimension t2 (mm)	1.5
Dimension x	3 mm

Technical data

Distance to the wall	yes
Number of cables/pipes	1
Version for	Closed
Fastening type	Screw hole
For diameter	8 - 10
Suitable in fire protection area	no
Halogen-free	yes
Plastic-covered	no
Material thickness	1.5 mm
Clamping range D, max.	10 mm
Clamping range D, min.	8 mm
UV-resistant	yes