

# Technical data sheet

## Spacer clip 733 ALU

Item number: 1362814



Spacer clip for the installation of pipes and cables on walls, ceilings and floors. With self-locking upper part. Fastening via slot. From the clip size of 20 suitable for installation with a nail device or bolt-firing device.

Approved for the maintenance of electrical function to DIN 4102 Part 12, maintenance of electrical function classes E30 to E90 (except ALU).



**Alu** Aluminium

### Master data

|                     |                 |
|---------------------|-----------------|
| Item number         | 1362814         |
| Type                | ASL 733 20 ALU  |
| Description 1       | Distance saddle |
| Description 2       | with slot       |
| Manufacturer        | OBO             |
| Dimension           | 17-20mm         |
| Material            | Aluminium       |
| Smallest sales unit | 25              |
| Unit of quantity    | Piece           |
| Weight              | 1.097 kg        |
| Weight unit         | kg/100 pc.      |

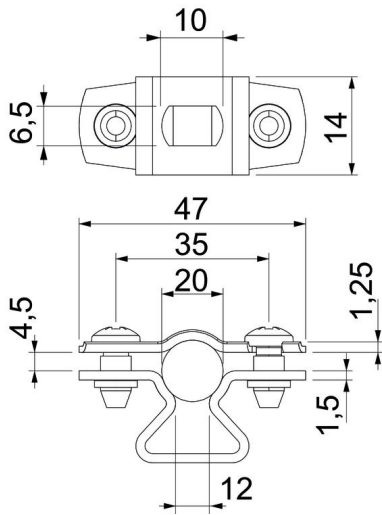
# Technical data sheet

## Spacer clip 733 ALU

Item number: 1362814



### Dimensions



|                   |        |
|-------------------|--------|
| Dimension A       | 47 mm  |
| Dimension B       | 35 mm  |
| Dimension b       | 14 mm  |
| Dimension D       | 20 mm  |
| Dimension d max.  | 20 mm  |
| Dimension d min.  | 17 mm  |
| Dimension L       | 10 mm  |
| Dimension s       | 12 mm  |
| Dimension t1 (mm) | 1.25   |
| Dimension t2 (mm) | 1.5    |
| Dimension x       | 4.5 mm |

### Technical data

|                        |            |
|------------------------|------------|
| Distance to the wall   | yes        |
| Number of cables/pipes | 1          |
| Version for            | Closed     |
| Fastening type         | Screw hole |
| For diameter           | 17 - 20    |
| Halogen-free           | yes        |
| Plastic-covered        | no         |
| Material thickness     | 1.5 mm     |
| Clamping range D, max. | 20 mm      |
| Clamping range D, min. | 17 mm      |
| UV-resistant           | yes        |