

Technical data sheet

Beam clamp, for threaded rod

Item number: 1483671



Beam clamp for knocking in with threaded rod seat as individual fastening solution on the beam.

CE

- St** Steel
- ZL** Zinc slat

Master data

Item number	1483671
Type	BCTR 8-14 M10
Description 1	Beam clamp
Description 2	with threaded rod M10
Manufacturer	OBO
Dimension	8-14mm
Material	Steel
Surface	Zinc slat
Surface standard	
Smallest sales unit	50
Unit of quantity	Piece
Weight	3.2 kg
Weight unit	kg/100 pc.

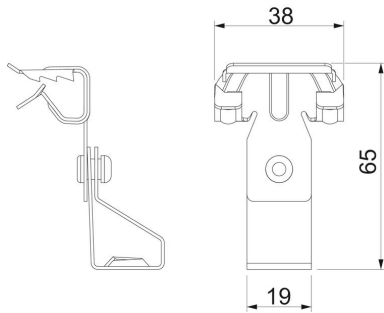
Technical data sheet

Beam clamp, for threaded rod

Item number: 1483671



Dimensions



Dimension B	38 mm
Dimension L	65 mm

Technical data

Connection type/component	Thread
Fastening type	Clamp
Flange thickness F max.	14 mm
Flange thickness F min.	8 mm
Thread	M10
Thread metric	10
Hinge, adjustable	no
Hinged	no