

Technical data sheet

Terminal strip 6–16 mm², junction box, T series, X series

Item number: 2016190



Brass terminals, steel screws, electrogalvanised and transparently passivated, nominal cross-section 6 ÷ 16 mm², nominal voltage 400 V, 1-pin, with terminal sockets, max. connectable conductor per terminal 4 x 16 mm², 4 x 10 mm², 8 x 6 mm² or 12 x 4 mm².
System accessories for junction boxes T100, T160, T250, T350



PA Polyamide

Master data

Item number	2016190
Type	KL-T 06-16
Description 1	Terminal strip
Manufacturer	OBO
Dimension	16mm ²
Colour	Light grey
Material	Polyamide
Smallest sales unit	10
Unit of quantity	Piece
Weight	1.97 kg
Weight unit	kg/100 pc.

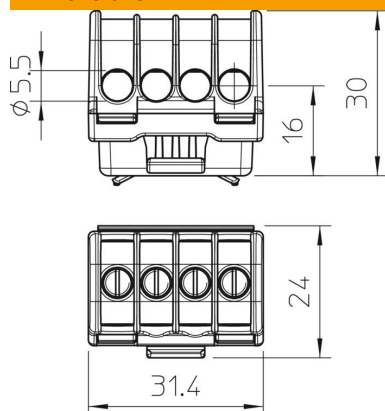
Technical data sheet

Terminal strip 6–16 mm², junction box, T series, X series

Item number: 2016190



Dimensions



Length	31.4 mm
Width	24 mm
Height	30 mm

Technical data

Closing plate required	no
Connectable conductor cross-section, single-wire, max.	16 mm ²
Connectable conductor cross-section, single-wire, min.	4 mm ²
Connection position	Side
No. of terminals	4
Number of screwless terminals per pole	1
Version of electrical connection 1	Screw connection
Explosion-tested version	no
Insulation material	Thermoplast
Mounting type	Miscellaneous
Nominal cross-section, max.	16 mm ²
Nominal cross-section, min.	6 mm ²
Nominal voltage	400 V
Nominal current	76 A
Pole number	1
Cross-section	Max. connectable conductors per terminal max. 4 x 16 mm ² , 4 x 10 mm ² , 8x6 mm ² or 12 x 4 mm ² mm ²
Transparent	no