

Technical data sheet

Edge protection ring KSR 20030, for LKM cable duct type
LKM 20030

Item number: 6249844



Edge protection ring for the open ends of LKM cable trunking.



PVC Polyvinylchloride

Master data

| | |
|---------------------|----------------------|
| Item number | 6249844 |
| Type | KSR20030 |
| Description 1 | Edge protection ring |
| Description 2 | for LKM trunking |
| Manufacturer | OBO |
| Dimension | 20x30mm |
| Colour | Grey |
| Material | Polyvinylchloride |
| Smallest sales unit | 5 |
| Unit of quantity | Piece |
| Weight | 1.1 kg |
| Weight unit | kg/100 pc. |

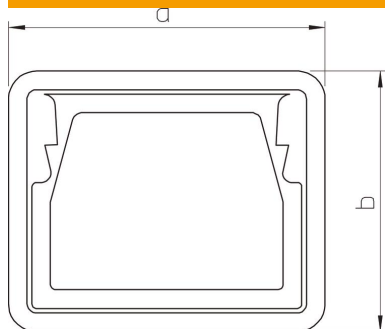
Technical data sheet

Edge protection ring KSR 20030, for LKM cable duct type
LKM 20030

Item number: 6249844



Dimensions



| | |
|-------------|-------|
| Length | 23 mm |
| Width | 34 mm |
| Height | 28 mm |
| Dimension a | 34 mm |
| Dimension b | 28 mm |

Technical data

| | |
|--------------------------------------|------------------------|
| Type | Injection-moulded part |
| Suitable for | Cable routing duct |
| Halogen-free | yes |
| Protection rating | IP30 |
| Protection rating IK code | IK10 |
| Permitted temperature range, max. | 90 °C |
| Permitted temperature range, min. | -5 °C |