

# Technical data sheet

Edge protection ring KSR60100, for LKM cable duct type  
LKM 60100

Item number: 6249852



Edge protection ring for the open ends of LKM cable trunking.



**PVC** Polyvinylchloride

## Master data

Item number	6249852
Type	KSR60100
Description 1	Edge protection ring
Description 2	for LKM trunking
Manufacturer	OBO
Dimension	60x100mm
Colour	Grey
Material	Polyvinylchloride
Smallest sales unit	5
Unit of quantity	Piece
Weight	3.4 kg
Weight unit	kg/100 pc.

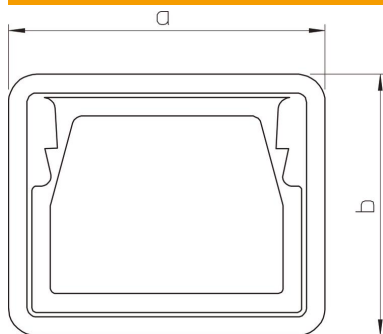
# Technical data sheet

Edge protection ring KSR60100, for LKM cable duct type  
LKM 60100

Item number: 6249852



## Dimensions



Length	21 mm
Width	104 mm
Height	68 mm
Dimension a	104 mm
Dimension b	68 mm

## Technical data

Type	Injection-moulded part
Suitable for	Cable routing duct
Halogen-free	yes
Protection rating	IP30
Protection rating IK code	IK10
Permitted temperature range, max.	90 °C
Permitted temperature range, min.	-5 °C