

# Technical data sheet

## Magic straight connector set DD

Item number: 6068940



Cable tray connector with quick fastening for the screwless connection of perforated cable trays with a side height of 60 mm. The optimised design means that the connector can be used to create radii and as a length compensation piece for large temperature deviations.



**St**

Steel

**DD**

Strip galvanised zinc/aluminium, Double Dip

### Master data

Item number	6068940
Type	KTSMV 620 DD
Description 1	Straight connector set
Description 2	for cable tray Magic
Manufacturer	OBO
Dimension	60x200x200
Material	Steel
Surface	Strip galvanised zinc/aluminium, Double Dip
Surface standard	DIN EN 10346
Smallest sales unit	1
Unit of quantity	Piece
Weight	37.2 kg
Weight unit	kg/100 pc.

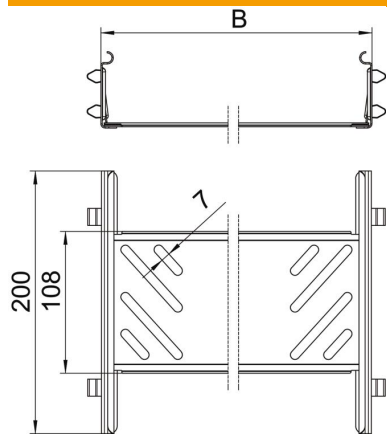
# Technical data sheet

## Magic straight connector set DD

Item number: 6068940



### Dimensions



Dimension	60x200
Length	200 mm
Width	200 mm
Width	8 in
Height	60 mm
Height	2 in
Plate thickness	1 mm
Dimension B	200 mm

### Technical data

Version for	Straight connector
Maintain electrical functions	no
Suitable for mesh cable tray	no
Suitable for cable ladder	no
Suitable for cable tray	yes
Suitable for cable tray system height	60 mm
Adjustable connector, horizontal	no
Articulated connector, vertical	no
Rustproof steel, pickled	no
Connection type	Screwless connector