

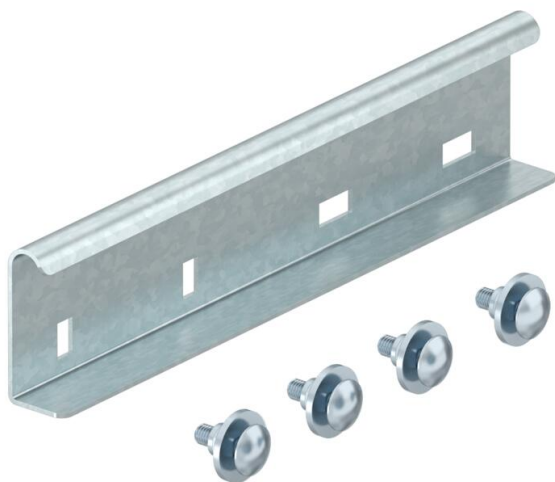
Technical data sheet

Expansion connector

Item number: 6208970



Connector for expansion for compensation of linear thermal expansion. The tightening torques of the self-locking screws on the loose bearing side are 5 Nm.



St Steel

FT Hot-dip galvanised

Master data

| | |
|---------------------|-------------------------|
| Item number | 6208970 |
| Type | LDVG 60 FT |
| Description 1 | Connector for expansion |
| Description 2 | for cable ladder |
| Manufacturer | OBO |
| Dimension | 60x300 |
| Material | Steel |
| Surface | Hot-dip galvanised |
| Surface standard | DIN EN ISO 1461 |
| Smallest sales unit | 2 |
| Unit of quantity | Piece |
| Weight | 61.7 kg |
| Weight unit | kg/100 pc. |

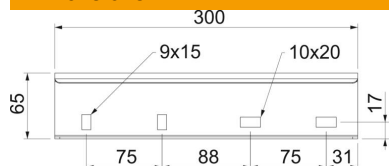
Technical data sheet

Expansion connector

Item number: 6208970



Dimensions



| | |
|--------|--------|
| Length | 300 mm |
| Width | 27 mm |
| Height | 60 mm |

Technical data

| | |
|---------------------------------------|--------------------|
| Version for | Straight connector |
| Maintain electrical functions | no |
| Suitable for mesh cable tray | no |
| Suitable for cable ladder | yes |
| Suitable for cable tray | no |
| Suitable for cable tray system height | 60 mm |
| Adjustable connector, horizontal | no |
| Articulated connector, vertical | no |
| Rustproof steel, pickled | no |
| Connection type | Screw connector |