

# Technical data sheet

## Cable duct, type LKM 20030

Item number: 6246974



Duct cover and base with base perforation. Equipotential bonding is guaranteed between the cover and the base without any additional aids. The LKM cable duct, type LKM 20030, has been tested for the maintenance of electrical function as a routing system according to DIN 4102 Part 12. Please note the cable types tested in the BSS fire protection systems division!



**St** Steel

**FS** Strip galvanized

### Master data

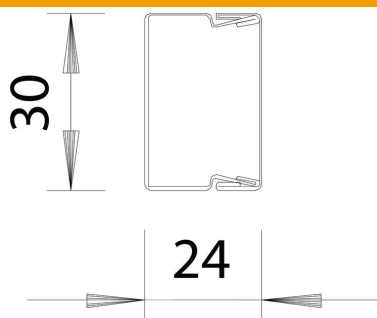
Item number	6246974
Type	LKM20030FS
Description 1	Cable trunking
Description 2	with base perforation
Manufacturer	OBO
Dimension	20x30x2000
Material	Steel
Surface	Strip galvanized
Surface standard	DIN EN 10346
Smallest sales unit	2
Unit of quantity	Metre
Weight	58 kg
Weight unit	kg/100 m

# Technical data sheet

## Cable duct, type LKM 20030

Item number: 6246974

### Dimensions



Length	2,000 mm
Width	30 mm
Height	24 mm

### Technical data

Number of fixed partitions	0
Number of insertable partitions	0
Version, cable trunking cover	Loose
Fastening type	Base perforation
Base perforation	with base perforation
Maintain electrical functions	yes
Halogen-free	yes
Cable retaining clip	no
Duct connector	no
Usable cross-section	519 mm <sup>2</sup>
Protection rating	IP30
Protective film	no
Protection rating IK code	IK10
Permitted temperature range, max.	90 °C
Permitted temperature range, min.	-5 °C