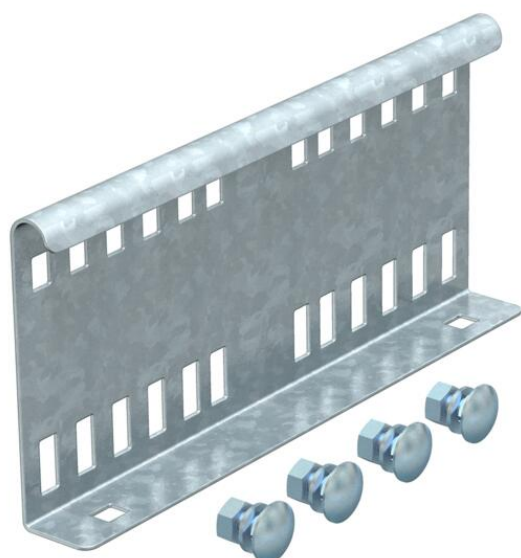


Technical data sheet

Straight connector FT

Item number: 6216548



Straight connector as external connector to connect cable ladders and fittings with a side height of 110 mm and continuous rail perforation.

The bolt fastening ensures the continuity of the equipotential bonding.



St Steel

FT Hot-dip galvanised

Master data

Item number	6216548
Type	LVG 110 FT
Description 1	Straight connector
Description 2	for cable ladder
Manufacturer	OBO
Dimension	114x250
Material	Steel
Surface	Hot-dip galvanised
Surface standard	DIN EN ISO 1461
Smallest sales unit	10
Unit of quantity	Piece
Weight	53.7 kg
Weight unit	kg/100 pc.

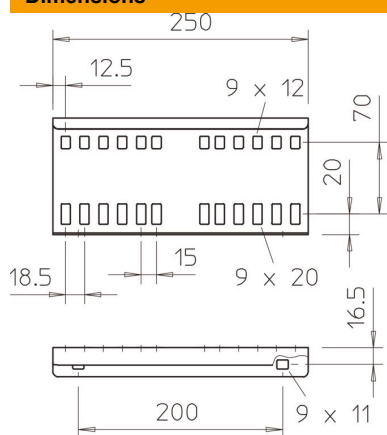
Technical data sheet

Straight connector FT

Item number: 6216548



Dimensions



Dimension	114x250
Length	250 mm
Width	28 mm
Height	110 mm
Plate thickness	1.5 mm

Technical data

Version for	Straight connector
Suitable for mesh cable tray	no
Suitable for cable ladder	yes
Suitable for cable tray	no
Suitable for cable tray system height	110 mm
Adjustable connector, horizontal	no
Articulated connector, vertical	no
Rustproof steel, pickled	no
Connection type	Screw connector