

Technical data sheet

FireBox T60 with plug-in seals

Item number: 7205741



Junction box with ceramic terminals and soft plug-in seals. Sufficiently large wiring compartment through diagonally arranged connection unit with completely pre-mounted, high-temperature-resistant ceramic terminals. Green-yellow labeled protective conductor terminal. Fastening on easily accessible external flaps. Approved for cable systems that maintain the electrical function according to DIN 4102 Part 12 with the classes E30, E60 and E90. Ceramic terminals were tested according to DIN EN 60998-2-1:2004.

E30 E60 E90 IP 66

PP Polypropylene

Master data

Item number	7205741
Type	T60ED 06A
Description 1	Junction box
Description 2	for function maintenance
Manufacturer	OBO
Dimension	114x114x57
Colour	Pastel orange; RAL 2003
Material	Polypropylene
Smallest sales unit	1
Unit of quantity	Piece
Weight	31 kg
Weight unit	kg/100 pc.

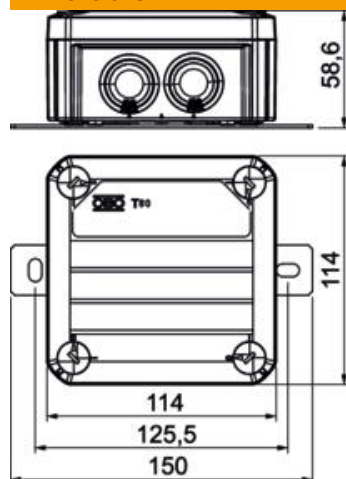
Technical data sheet

FireBox T60 with plug-in seals

Item number: 7205741



Dimensions



Length	114 mm
Width	114 mm
Height	58.6 mm
Dimension B	114 mm
Dimension H	58.6 mm
Dimension L	114 mm
Dimension L1	125.5 mm
Dimension L2	150 mm

Technical data

Expandable	no
Number of terminals	5
Type of housing penetration	Cuttable stepped membrane
Equipment	Terminal
Cover	Not transparent
Cover fastening	Screwed
Entry from rear	no
Entries	7 x M25
Explosion-tested version	no
Shape	Rectangular
Maintain electrical functions	E 90
For Ex zone	Without
For Ex zone gas	Without
For Ex zone dust	Without
Halogen-free	yes
Clear internal dimensions	100x100x48 mm
With screening	no
with lid	yes
Nominal cross-section, min.	6 mm ²
Nominal voltage	660 V
Sealable	no
Impact-resistant	no
Protection rating	IP66
Weatherproof	no