

# Technical data sheet

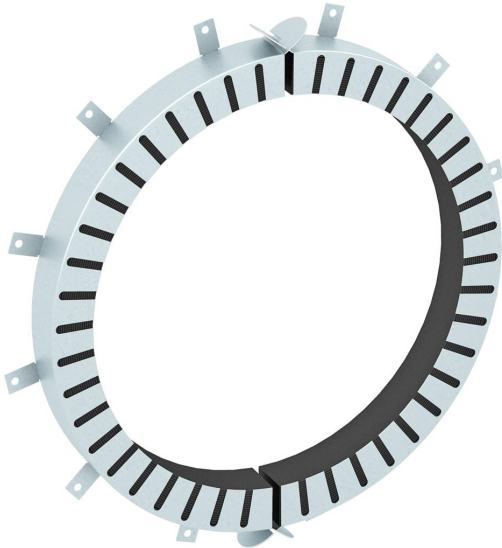
## Pipe sleeve with 12 fastening straps

Item number: 7202217



Pipe sleeve for combustible pipes.

If there is a fire, fire protection inserts inside the sheet steel housing expand, exerting a very great pressure onto the burning thermoplastic pipes. For interior application. Fastening with anchors or M8 threaded rods.



CE

Intumescent material

FS Strip galvanized

### Master data

Item number	7202217
Type	TCX-300
Description 1	Pipe sleeve
Description 2	for combustible pipes
Manufacturer	OBO
Dimension	Ø300mm
Material	Intumescent material
Surface	Strip galvanized
Surface standard	DIN EN 10346
Smallest sales unit	1
Unit of quantity	Piece
Weight	405 kg
Weight unit	kg/100 pc.

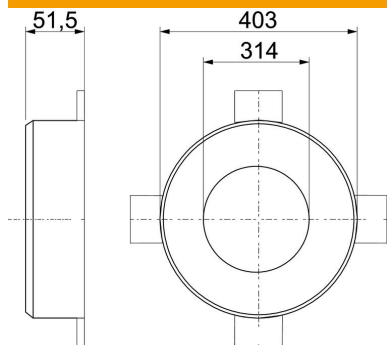
# Technical data sheet

## Pipe sleeve with 12 fastening straps

Item number: 7202217



### Dimensions



Length	403 mm
Width	403 mm
Height	51.5 mm
Dimension d	314 mm
Dimension d min.	403 mm
Dimension h	51.5 mm

### Technical data

Shape	Round
For pipe diameter, max.	302 mm
For pipe diameter, min.	300 mm
Collar lock	Connector
With fastening material	no
Accessories required	yes