

Technical data sheet

Separating retainer 30 FS

Item number: 6062050



Separating retainer for separation of cables of different voltages or functions.



St Steel

FS Strip galvanized

Master data

Item number	6062050
Type	TSG 30 FS
Description 1	Barrier strip
Description 2	for cable support systems
Manufacturer	OBO
Dimension	30x2995
Material	Steel
Surface	Strip galvanized
Surface standard	DIN EN 10346
Smallest sales unit	3
Unit of quantity	Metre
Weight	38 kg
Weight unit	kg/100 m

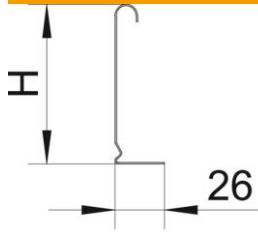
Technical data sheet

Separating retainer 30 FS

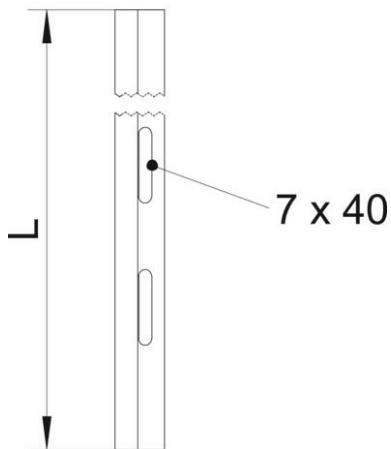
Item number: 6062050



Dimensions



Length	3,000 mm
Length	10 ft
Height	30 mm
Height	1 in
Plate thickness	0.75 mm
Dimension H (Inch)	1 in
Dimension H	30 mm
Dimension L	10 ft
Dimension L	3,000 mm



Technical data

Version for	L profile
Fastening type	Screw-on
Fastening perforation (ETIM)	no
Maintain electrical functions	no
Suitable for mesh cable tray	yes
Suitable for cable ladder	no
Suitable for cable tray	yes
Rustproof steel, pickled	no