

# Technical data sheet

## US 5 support FT

Item number: 6341632



U support of dimensions 50 x 50 mm with welded head plate. For fastening to horizontal concrete ceilings and steel girders. For bracket widths of 400 mm or more, or if the bracket is mounted at the end of a suspended support, we recommend the use of the spacer, type DSK 45.



**St** Steel

**FT** Hot-dip galvanised

### Master data

Item number	6341632
Type	US 5 K 120 FT
Description 1	Support
Description 2	with welded head plate
Manufacturer	OBO
Dimension	50x50x1200
Material	Steel
Surface	Hot-dip galvanised
Surface standard	DIN EN ISO 1461
Smallest sales unit	1
Unit of quantity	Piece
Weight	337 kg
Weight unit	kg/100 pc.

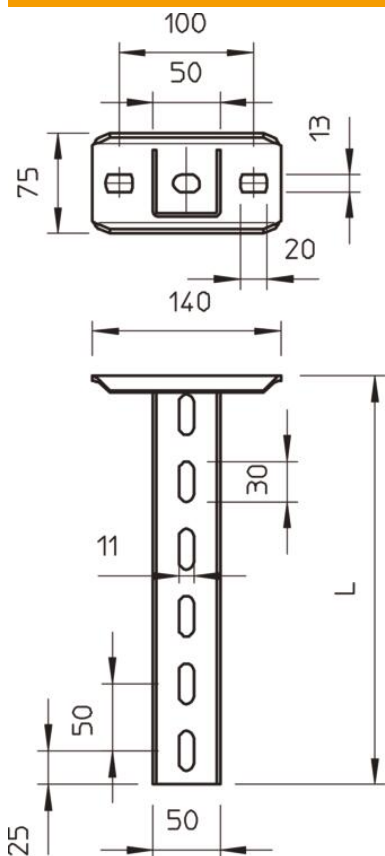
# Technical data sheet

## US 5 support FT

Item number: 6341632



### Dimensions



Length	1,200 mm
Width	50 mm
Height	50 mm
Dimension L	1,200 mm

### Loads



### Chara

Max. total  
= 10 cm  
of ETA(a)

### Technical data

Version for	U profile
Bracket length 200	4 kN
Bracket length 400	2.2 kN
Bracket length 600	1.7 kN
Maintain electrical functions	yes
Material thickness	2.5 mm
Maximum tensile load	10 kN
With tothing	no