

# Technical data sheet

## PV complete block 1,500 V DC with remote signalling

Item number: 5094242



Type 1+2 combination arrester for lightning and surge protection of PV systems.

- Lightning protection equipotential bonding according to IEC 62305 (VDE 0185-305)
- Surge protection according to IEC 60364-7-712 (VDE 0100-712)
- Arresting capacity to 12.5 kA (10/350) and 40 kA (8/20)
- Error-resistant Y circuit with status display
- The FS variant possesses a potential-free changeover contact for remote signalling

Application: Lightning current and surge protective devices for PV systems.



### Master data

Item number	5094242
Type	V-PV-T1+2-1500FS
Description 1	CombiController V-PV
Description 2	Y-connection PV system + RS
Manufacturer	OBO
Dimension	1500V DC
Colour	Grey
Smallest sales unit	1
Unit of quantity	Piece
Weight	49.6 kg
Weight unit	kg/100 pc.

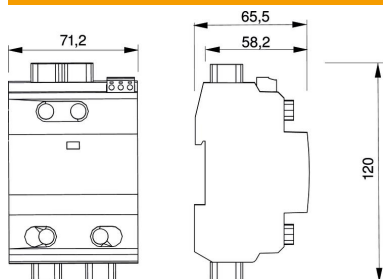
# Technical data sheet

PV complete block 1,500 V DC with remote signalling

Item number: 5094242



## Dimensions



Length	65.5 mm
Width	71.2 mm
Height	120 mm

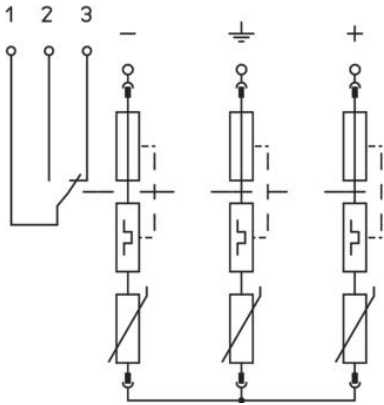
# Technical data sheet

## PV complete block 1,500 V DC with remote signalling

Item number: 5094242



### Technical data



Arrester surge current (8/20 $\mu$ s) [total]	40 kA
Response time	<25 ns
Blow-out	no
Version for	Y configuration + RS
Pole version	Other
Structural width in division units (division unit, 17.5 mm)	4
Operating temperature, max.	80 °C
Operating temperature, min.	-40 °C
Lightning surge current (10/350 $\mu$ s)	6.25 kA
Lightning surge current (10/350)	12.5 kA
Remote signalling	yes
FM contacts	Changeover
Maximum continuous voltage DC	1500
Integrated back-up fuse	no
Conductor cross-section, flexible (fine-wire), max.	35 mm <sup>2</sup>
Conductor cross-section, flexible (fine-wire), min.	2.5 mm <sup>2</sup>
Conductor cross-section, rigid (single-wire/multiwire), max.	35 mm <sup>2</sup>
Conductor cross-section, rigid (single-wire/multiwire), min.	2.5 mm <sup>2</sup>
Lightning protection zone LPZ	0→2
Max. PV voltage	1500 V
Maximum discharge current (8/20 $\mu$ s)	40 kA
Installation type	DIN rail 35 mm
Nominal discharge current (8/20 $\mu$ s)	20 kA
Network form	DC
DC network form	yes
IT network form	no
Other network form	no
TN network form	no
TN-C network form	no
TN-C-S network form	no
TN-S network form	no
TT network form	no
OBO_Nominal load current (input/output terminal)	50 A
Test class, type 1	yes
Test class, type 2	yes
Protection rating	IP20
Protection level	≤4,5
Signalling on device	Visual
SPD to EN 61643-11	Type 1+2
SPD to IEC 61643-1	Class I+II
Cable type for surge protection devices	Power cable DC (PV)