

Technical data sheet

Cable gland, PG thread, silver grey

Item number: 2022664



Cable gland with PG connection thread in cap nut design, suitable for junction boxes, housings, distributor boxes in private and industrial areas. With strain relief and integrated sealing lip, tested according to DIN EN 62444. Protection class IP68. Can be used between -20°C and $+65^{\circ}\text{C}$.



PA Polyamide

Master data

Item number	2022664
Type	V-TEC PG21 SGR
Description 1	Cable gland
Manufacturer	OBO
Dimension	PG21
Colour	Silver grey; RAL 7001
Material	Polyamide
Smallest sales unit	25
Unit of quantity	Piece
Weight	2.29 kg
Weight unit	kg/100 pc.

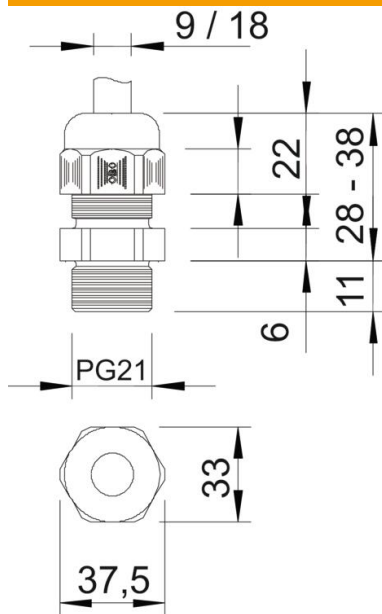
Technical data sheet

Cable gland, PG thread, silver grey

Item number: 2022664



Dimensions



Dimension E	37.5 mm
Dimension L max.	38 mm
Dimension L min.	28 mm
Dimension L1	11 mm
Dimension L2	6 mm
Dimension L3	22 mm

Technical data

Type of seal	Sealing ring
Version for	Straight
Bend protection	no
Sealing area D, max.	18 mm
Sealing area D, min.	9 mm
explosion-proof	no
Flat cable gland	no
For Ex zone	Without
For Ex zone gas	Without
For Ex zone dust	Without
Thread	Pg 21
Thread type	PG
Thread length	11 mm
Nominal thread size	21
Thread increase	1.41 mm
Fibre-glass reinforced	no
Halogen-free	yes
Unstable torque	5 Nm
Sealing insert, multiple	no
With locknut	no
Impact-resistant	no
WAF	33
Protection rating	IP68
Hexagonal corner dimension	37.5 mm
Splittable gland	no
Permitted temperature range, max.	65 °C

Technical data sheet

Cable gland, PG thread, silver grey

Item number: 2022664



Technical data

Permitted temperature range, min.	-20 °C
Strain relief and wringing protection D2, max.	18 mm
Strain relief and wringing protection D2, min.	12 mm
Strain relief option	yes