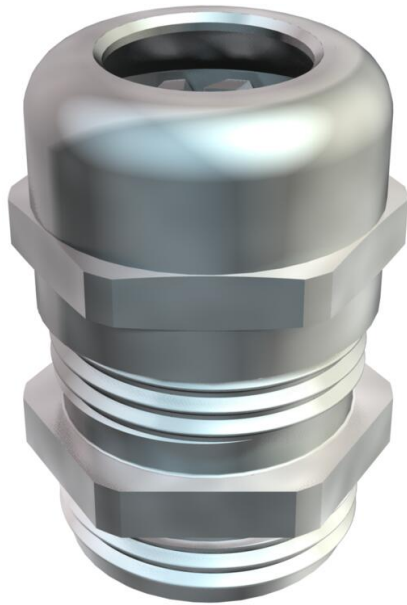


# Technical data sheet

## Cap nut cable gland, PG thread, nickel-plated

Item number: 2085682



Cable gland of cap-nut design with large sealing area, and strain relief and torsion protection for high sealing demands with Pg connection thread to DIN 40430, polyamide terminal insert, sealing ring of chloroprene/nitrile rubber, with pre-mounted O ring on the connection thread.

Protection rating IP 68 at 5 bar: 1 hr, tested to VDE 0619.

"Normal" connection thread length, according to DIN 46320.

\* Prices according to DEL notation.



**CuZn**  
37 Brass

**N** Nickel-plated

### Master data

|                     |               |
|---------------------|---------------|
| Item number         | 2085682       |
| Type                | V-TEC PG36 MS |
| Description 1       | Cable gland   |
| Manufacturer        | OBO           |
| Dimension           | PG36          |
| Material            | Brass         |
| Surface             | Nickel-plated |
| Surface standard    |               |
| Smallest sales unit | 10            |
| Unit of quantity    | Piece         |
| Weight              | 21.195 kg     |
| Weight unit         | kg/100 pc.    |

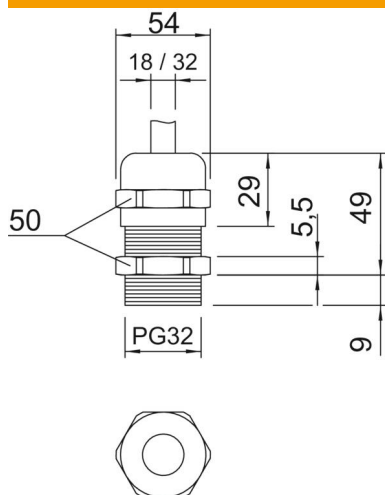
# Technical data sheet

## Cap nut cable gland, PG thread, nickel-plated



Item number: 2085682

### Dimensions



|                  |        |
|------------------|--------|
| Dimension E      | 54 mm  |
| Dimension L max. | 49 mm  |
| Dimension L1     | 9 mm   |
| Dimension L2     | 5.5 mm |
| Dimension L3     | 29 mm  |

### Technical data

|  |              |
|--|--------------|
| Type of seal                                   | Sealing ring |
| Version for                                    | Straight     |
| Bend protection                                | no           |
| Sealing area D, max.                           | 32 mm        |
| Sealing area D, min.                           | 18 mm        |
| explosion-proof                                | no           |
| Flat cable gland                               | no           |
| For Ex zone                                    | Without      |
| For Ex zone gas                                | Without      |
| For Ex zone dust                               | Without      |
| Thread   | Pg 36        |
| Thread type                                    | PG           |
| Thread length                                  | 9 mm         |
| Nominal thread size                            | 36           |
| Fibre-glass reinforced                         | no           |
| Halogen-free                                   | no           |
| Sealing insert, multiple                       | no           |
| With locknut                                   | no           |
| Impact-resistant                               | no           |
| WAF  | 50           |
| Protection rating                              | IP68         |
| Splittable gland                               | no           |
| Permitted temperature range, max.              | 100 °C       |
| Permitted temperature range, min.              | -20 °C       |
| Strain relief and wringing protection D2, max. | 32 mm        |
| Strain relief and wringing protection D2, min. | 20 mm        |
| Strain relief option                           | yes          |