

# Technical data sheet

## Surge arrester V20, 4-pole with remote signalling, 550 V

Item number: 5095314



### Surge arrester, type 2

- For surge voltage protection equipotential bonding to VDE 0100-443 (IEC 60364-4-44)
- Discharge capacity to 40 kA (8/20) per pole through high-performance varistors
- Modular connectable arrester with cut-off unit and visual status display
- Locking mechanism with vibration protection and voltage keying
- Plastic to UL 94 V-0
- The remote signalling variants (FS) have a potential-free changeover contact for remote signalling

Application: Equipotential bonding in main and sub-distributions.



### Master data

Item number	5095314
Type	V20-4+FS-550
Description 1	SurgeController V20
Description 2	4-pole with RS
Manufacturer	OBO
Dimension	550V
Smallest sales unit	1
Unit of quantity	Piece
Weight	50.3 kg
Weight unit	kg/100 pc.

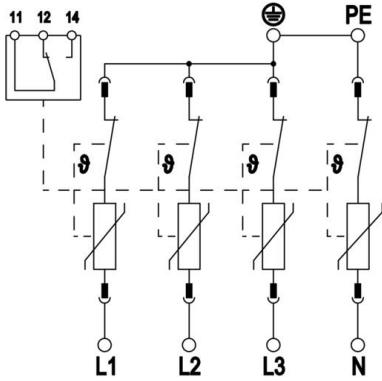
# Technical data sheet

## Surge arrester V20, 4-pole with remote signalling, 550 V



Item number: 5095314

### Technical data



Arrester surge current (8/20 $\mu$ s) [total]	160 kA
Connection cross-section (min.)	1.5 mm <sup>2</sup>
Connection cross-section, FM terminals, max.	16 AWG
Connection cross-section, FM terminals, max.	1.5 mm <sup>2</sup>
Connection cross-section, FM terminals, min.	21 AWG
Connection cross-section, FM terminals, min.	0.5 mm <sup>2</sup>
Response time	<25 ns
Response time [L-N]	25 ns
Blow-out	no
Pole version	4
Structural width in division units (division unit, 17.5 mm)	4
Operating temperature, max.	80 °C
Operating temperature, min.	-40 °C
Torque	35 Lbs
Torque	4 Nm
Torque for FM terminal	1.7 Lbs
Torque for FM terminal	0.2 Nm
Installation location	Interior
Remote signalling	yes
FM contacts	Changeover
Function/defect display	Visual
Housing material surge protection components	PA UL 94 V-0
Maximum continuous voltage (L-N)	550 V
Maximum continuous voltage AC	550
Integrated back-up fuse	no
Short-circuit resistant	yes
Short-circuit resistance for max. mains-side overcurrent protection	50 kA eff
Conductor cross-section, flexible (fine-wire), max.	35 mm <sup>2</sup>
Conductor cross-section, flexible (fine-wire), max.	2 AWG
Conductor cross-section, flexible (fine-wire), min.	16 AWG
Conductor cross-section, flexible (fine-wire), min.	1.5 mm <sup>2</sup>
Conductor cross-section, rigid (single-wire/multiwire), max.	2 AWG
Conductor cross-section, rigid (single-wire/multiwire), max.	35 mm <sup>2</sup>
Conductor cross-section, rigid (single-wire/multiwire), min.	16 AWG
Conductor cross-section, rigid (single-wire/multiwire), min.	1.5 mm <sup>2</sup>
Humidity, max.	95 %
Humidity, min.	5 %
Max. mains-side overcurrent protection	160 A gL/gG
Maximum back-up fuse	160 A

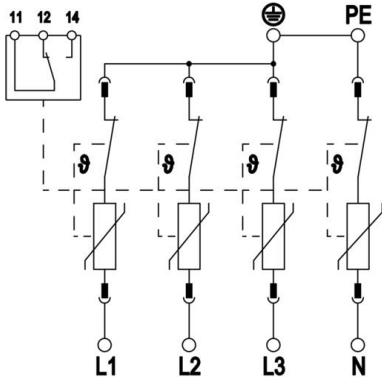
# Technical data sheet

## Surge arrester V20, 4-pole with remote signalling, 550 V

Item number: 5095314



### Technical data



Maximum discharge current (8/20 $\mu$ s)	40 kA
Maximum discharge current (8/20 $\mu$ s) [L-N]	40 kA
Minimum distance	1.5 mm
Installation type	DIN rail 35 mm
Nominal discharge current (8/20 $\mu$ s)	15 kA
Nominal discharge current (8/20 $\mu$ s) [L-N]	20 kA
Nominal voltage AC (50/60 Hz)	480 V
Network form	Other
TN network form	yes
TN-C-S network form	yes
TN-S network form	yes
Pole number	4
Ports	One-Port SPD
Test class, type 2	yes
Residual voltage [L-N] @ 1 kA	1.7 kV
Residual voltage [L-N] @ 5 kA	2.1 kV
Switching power AC	230 V; 0,5 A
Switching power DC	230 V; 0,1 A / 75 V; 0,5 A
Protection rating	IP20
Protective conductor current	< 500 $\mu$ A
Protection level	$\leq 2,4$
Protection level [L-N]	$\leq 2,4$
Signalling on device	Visual
SPD to EN 61643-11	Type 2
SPD to IEC 61643-1	Class II
SPD to UL 1449	Type 4
TOV voltage [L-N] – fail safe mode – 120 min.	915 V
TOV voltage [L-N] – withstand mode – 5 s	700 V
Approvals	UL
Cable type for surge protection devices	Power cable AV